

# LiquidPHY HDMI

V1.1

## Physical Layer Features

- Compliant to HDMI v1.3a, DVI1.0 and HDMI CTS v1.3c
- Supports up to 10.2Gps TMDS bandwidth
- Supports or exceeds full range of HDMI 1.3a- specified resolutions
- Power consumption: 344mW
- Data transfer interface with 30 bits of SDR access
- Programmable pre-emphasis
- Internal /5 and /8 clock output

## Product Description

Rapid Bridge's HDMI Serial Link Transmitter PHY supports HDMI 1.3a, DVI 1.0, and the HDMI Compliance Test Specification standards. Our HDMI System PHY provides a low-cost, low-risk solution that enables the rapid implementation of HDMI interfaces into SoC devices.

Four separate line drivers provide three Lanes of TMDS data transmission for up to 8.16Gbps of effective bandwidth and one lane for reference clock transmission. Serialization and transmission of control commands and video data is achieved using the industry- standard HDMI interface. Rapid Bridge's self-contained HDMI PHY directly interfaces with HDMI controller cores through a dedicated 30 bit graphical data transfer interface.

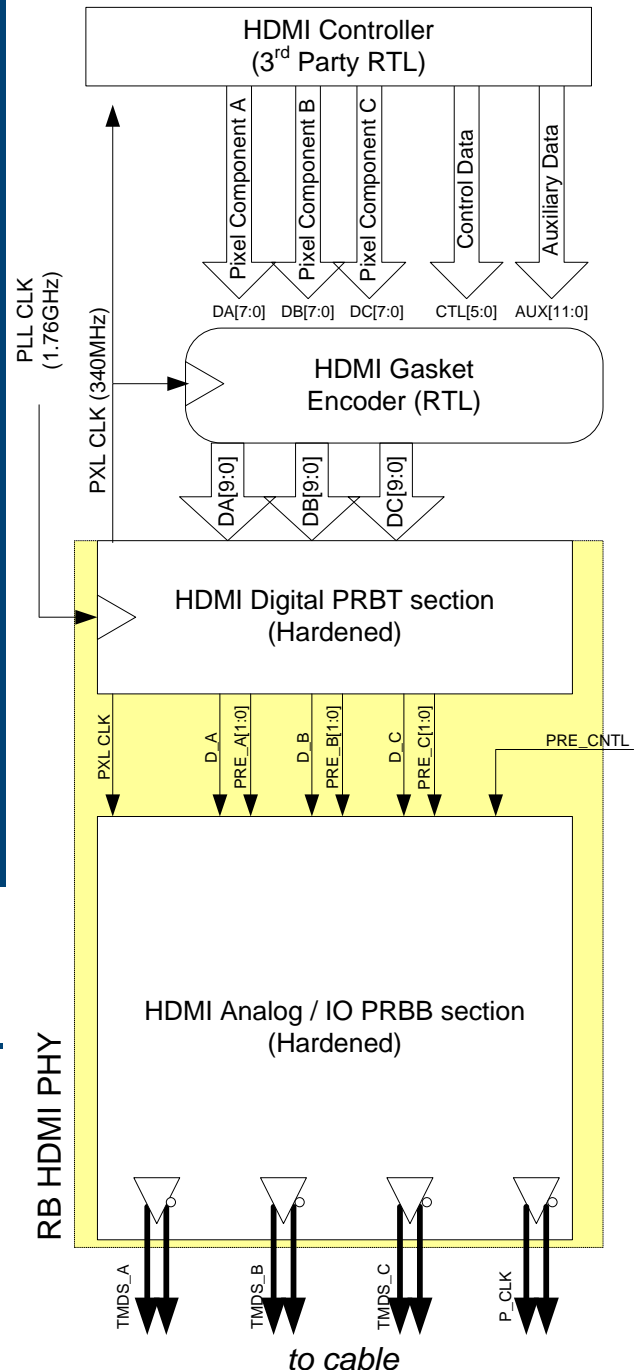
HDMI transmission is intended for the transfer of video and data to high-resolution display solutions to support data streams up to 1080i and 1080p with True color or Deep Color resolutions.

## Deliverables

- Datasheet
- Application notes
- Liberty (.lib/.db)
- Verilog
- LEF
- GDSII
- CDL

## Applications

- DVD Players/Recorders
- Personal Video Recorders
- Set-top Boxes
- Home Cinema
- Digital Still Cameras
- Mobile Devices
- Game Consoles



For More Information. . .

Regarding the Liquid family of products, please contact Rapid Bridge at: [sales-support@rapidbridge.com](mailto:sales-support@rapidbridge.com) or visit [www.rapidbridge.com](http://www.rapidbridge.com)